



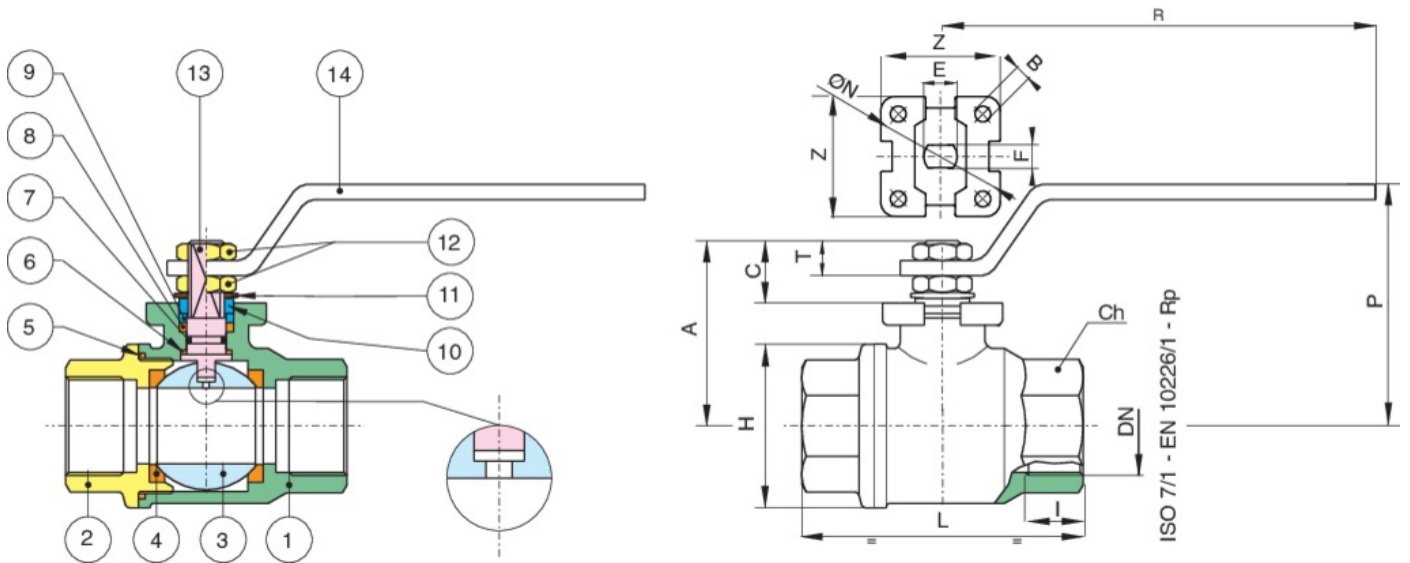
701000

Full bore polished stainless steel AISI 316-CF8M ball valve, F/F threading.

V-Ball option



Technical specifications



Temperature range: -20°C +160°C.

Vacuum: 10^{-2} torr.

POSITION	PART NAME	MATERIAL	N.° PIECES
1	BODY	A351-CF8M	1
2	END CONNECTION	A351-CF8M	1
3	BALL	A479-TP316/A351-CF8M	1
4	BALL SEAT	PTFE	2
5	SEAT	PTFE	1
6	THRUST WASHER	PTFE	1
7	O-RING	FKM	1
8	STEM SEAT	PTFE	1
9	PACKING GLAND	INOX AISI 316	1
10	END STOP	INOX AISI 316 (1/8"-2")-(2"1/2-4")	2-1
11	SPRING WASHER	STAINLESS STEEL (2"1/2-4")	2
12	NUT	A182-F304	2
13	STEM	A479-TP316/17-4-PH	1
14	HANDLE	INOX AISI 316	1

SIZE	DN	CODE	BOX	I	L	H	CH	R	P	A	C	T	E	F	ØN	B	Z	KV	PN	KG
1/8"	6	70100001	15	7,4	55	30	22	110	50	35	13,5	9	8	5	36	5,5	36	5	140	0,29
1/4"	8	70100002	15	11	55	30	22	110	50	35	13,5	9	8	5	-	-	-	5,5	140	0,27
3/8"	10	70100003	15	11,4	55	30	22	110	50	35	13,5	9	8	5	-	-	-	8,5	140	0,26
1/2"	15	70100004	10	15	66	36	27	110	53	38	13,5	9	8	5	-	-	-	19,2	140	0,35
3/4"	20	70100005	5	16,3	79	45	32	131	68	55	15	10	10	7	-	-	-	35	105	0,65
1"	25	70100006	6	19,1	93	54	41	174	79	60	19,5	12,5	12	8	-	-	-	64,5	105	1,02
1"1/4	32	70100007	2	21,4	100	64	50	174	83	64,5	19,5	12,5	12	8	42	5,5	42	103,8	64	1,40
1"1/2	40	70100008	2	21,4	110	80	55	250	100	79	24	16,5	16	10	50	6,5	50	174	64	2,35
2"	50	70100010	2	25,7	131	95	70	250	107	86	24	16,5	16	10	50	6,5	50	301,3	64	3,54
2"1/2	65	70100012	1	30,2	159	122	90	321	126	104	28,5	18,5	20	14	70	M8	64	545,7	25	6,95
3"	80	70100014	1	33,3	185	144	105	321	137	114	28	18	20	14	70	M8	64	872,5	25	10,53
4"	100	70100018	1	39,3	222	177	130	381	156	137	34,5	22	24	18	102	M10	92	1363,3	25	18,70

Certifications



TUV



ATEX FIRE-SAFE (On request)

Spare Parts

● POLISHED HANDLES

Code	Material	Size
RI2022	AISI 316	1/8"
RI2022	AISI 316	1/4"
RI2022	AISI 316	3/8"
RI2022	AISI 316	1/2"
RI2023	AISI 316	3/4"
RI2024	AISI 316	1"
RI2024	AISI 316	1"1/4
RI2025	AISI 316	1"1/2
RI2025	AISI 316	2"
RI2026	AISI 316	2"1/2
RI2026	AISI 316	3"
RI2027	AISI 316	4"

● SEATS

Code	Material	Size
RI421	PTFE	1/8"
RI421	PTFE	1/4"
RI421	PTFE	3/8"
RI422	PTFE	1/2"
RI423	PTFE	3/4"
RI424	PTFE	1"
RI427	PTFE	1"1/4
RI425	PTFE	1"1/2
RI426	PTFE	2"
RI2174	PTFE	2"1/2
RI2176	PTFE	3"
RI2031	PTFE	4"

● BALL

Code	Material	Size
00301000002	AISI 316	1/8"
00301000002	AISI 316	1/4"
00301000002	AISI 316	3/8"
00304000037	AISI 316	1/2"
00305000031	AISI 316	3/4"
00306000031	AISI 316	1"
00307000028	AISI 316	1"1/4
00308000025	AISI 316	1"1/2
00310000079	AISI 316	2"
00312000009	AISI 316	2"1/2
00314000013	AISI 316	3"
00318007006	AISI 316	4"

● STEMS

Code	Material	Size
00401000003	AISI 316	1/8"
00401000003	AISI 316	1/4"
00401000003	AISI 316	3/8"
00401000003	AISI 316	1/2"
00405000029	AISI 316	3/4"
00406000011	AISI 316	1"
00406000011	AISI 316	1"1/4
00408000010	AISI 316	1"1/2
00408000010	AISI 316	2"
00412000021	AISI 316	2"1/2
00412000021	AISI 316	3"
00418000021	AISI 316	4"