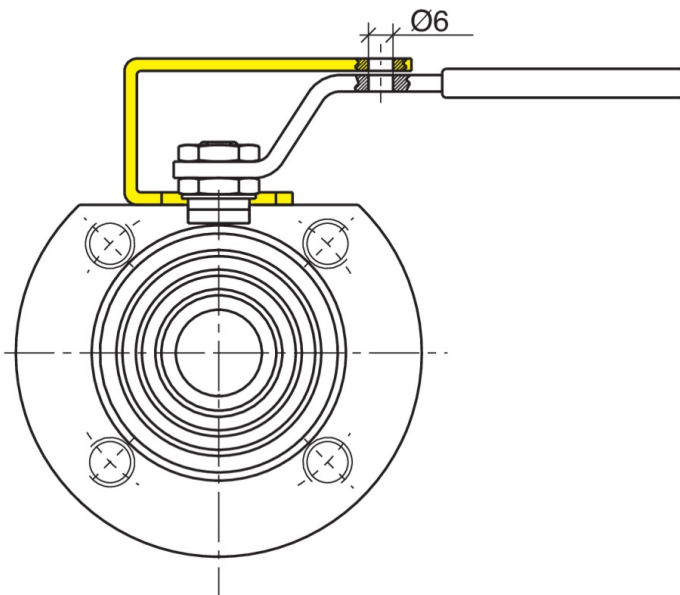




Locking handle device (lockpad excluded).

Technical specifications



DN	CODE	SERIE-SERIES	ISO PAD	MATERIALE-MATERIAL	NON VALIDO-NOT VALID FOR
1/2"	890056	72	Ø32	ACCIAIO INOX-STAINLESS STEEL	703000-704000-709000-720700-720650
3/4"	890056	70-71-72	Ø42-F04	ACCIAIO INOX-STAINLESS STEEL	703000-704000-709000-720700-720650
1"	890057	72-730008	Ø42-F04	ACCIAIO INOX-STAINLESS STEEL	703000-704000-709000-720700-720650
1"1/4	890057	72-730008	Ø42-F04	ACCIAIO INOX-STAINLESS STEEL	703000-704000-709000-720700-720650
1" 1/2	890058	72-730008	Ø50-F05	ACCIAIO INOX-STAINLESS STEEL	703000-704000-709000-720700-720650
2"	890058	72-730008	Ø50-F05	ACCIAIO INOX-STAINLESS STEEL	703000-704000-709000-720700-720650
2"1/2	890059	70-71-72-730008-776	Ø70-F07	ACCIAIO INOX-STAINLESS STEEL	703000-704000-709000-720700-720650
3"	890059	70-71-72-73-776	Ø70-F07	ACCIAIO INOX-STAINLESS STEEL	703000-704000-709000-720700-720650
4"	890060	70-71-72-73-776	Ø102-F10	ACCIAIO INOX-STAINLESS STEEL	703000-704000-709000-720700-720650
5"	890060	72-73-776	Ø102-F10	ACCIAIO INOX-STAINLESS STEEL	703000-704000-709000-720700-720650
6"	890061	72-73-776	Ø125-F12	ACCIAIO INOX-STAINLESS STEEL	703000-704000-709000-720700-720650
8"	890061	72-73	Ø125-F12	ACCIAIO INOX-STAINLESS STEEL	703000-704000-709000-720700-720650
1"	890073	70-71	Ø42-F04	ACCIAIO INOX-STAINLESS STEEL	703000-704000-709000-720700-720650
1"1/4	890073	70-71	Ø42-F04	ACCIAIO INOX-STAINLESS STEEL	703000-704000-709000-720700-720650
1" 1/2	890074	70-71	Ø50-F05	ACCIAIO INOX-STAINLESS STEEL	703000-704000-709000-720700-720650
2"	890074	70-71	Ø50-F05	ACCIAIO INOX-STAINLESS STEEL	703000-704000-709000-720700-720650
1/4"-3/8"-1/2"	890075	70	Ø36-F03	ACCIAIO INOX-STAINLESS STEEL	703000-704000-709000-720700-720650
1/2"	890075	71	Ø36-F03	ACCIAIO INOX-STAINLESS STEEL	703000-704000-709000-720700-720650